

6.0mm Round Tact Switch (Vertical/RA, TH/SMT Type)



TSG-61/62S/T-XXX


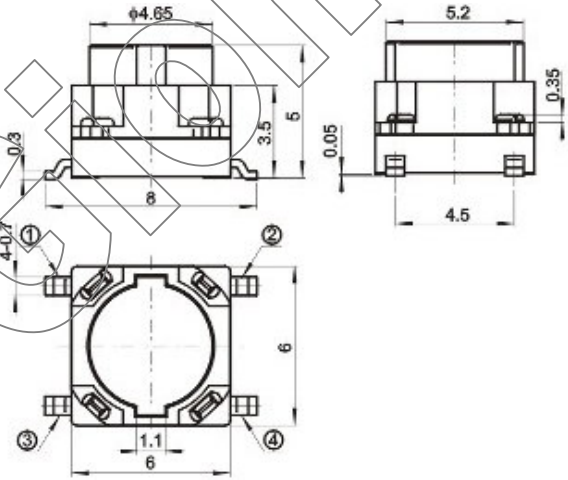
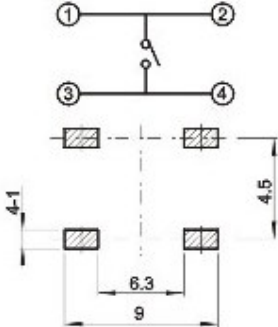
TS - Tact Switch
G - G Serious
61 / 62 – Type
S / T - SMT Type, TH Type
XXX - Action Force (gram)
H - With Post (Optional)

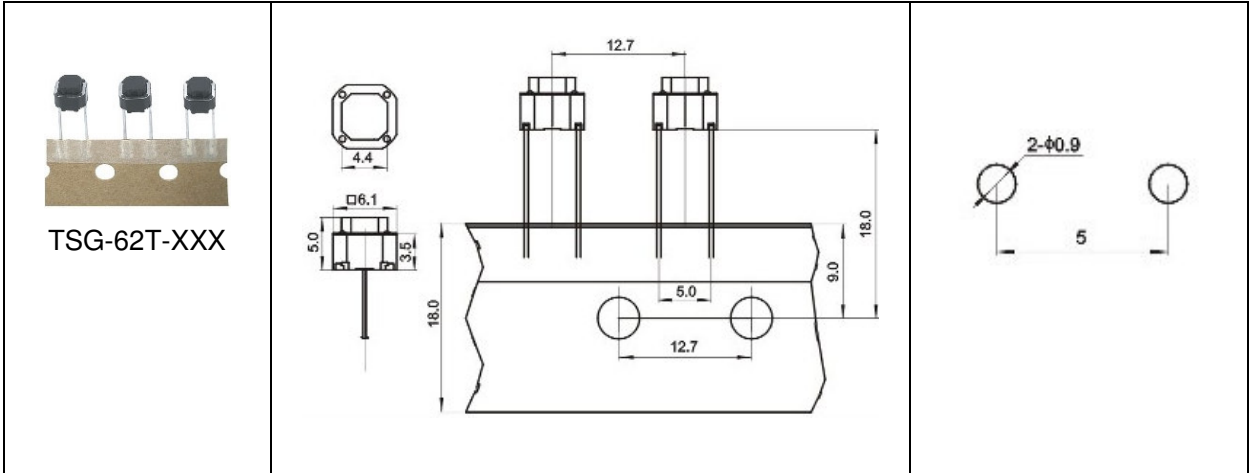
SPECIFICATIONS

Mechanical Life: 200,000 cycles for 180g±50g
100,000 cycles for 250g±50g
Operating Force: 180g±50g, 250g±50g
Travel: 1.3±0.1mm
Rating: 50mA 12V DC
Dielectric withstanding: 250V AC/minute
Insulator resistance: ≥ 100 MΩ at 100V
Contact resistance: ≤ 100 mΩ/Contact
Operating temperature: -30°C ~ +85°C
Storage temperature: -40°C ~ +85°C

Material

Base: PA6T/LCP, UL94V-0
Contact material: Phosphor Bronze
Contact Spring Plating: Stainless Steel/Silver Plating

Physical Picture	Outline Drawing	Circuit
 <p>TSG-61S-XXX</p>		



GionTech